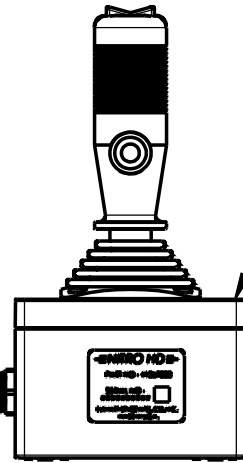


NOTES:
 DRAWING NOT TO SCALE.
 FOR REFERENCE ONLY.

REV.	ZONE	DESCRIPTION	BY	ECN NUMBER
B	C7, C8	ADDED NOTE ABOUT EXTENSION HARNESS 37527000 BEING USED BETWEEN THE JOYSTICK AND MODULE	KAP	170512

NITRO HD JOYSTICK
 P/N 41067000

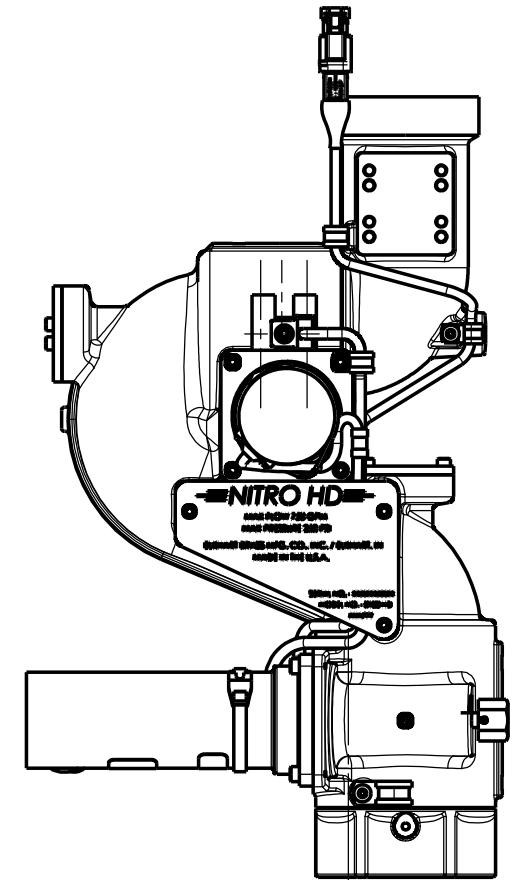


OPTIONAL: EXTEND LENGTH BETWEEN MODULE AND JOYSTICK UP TO 75 FEET BY ADDING UP TO 5 EXTENSION HARNESSES, P/N 37527000 HERE.

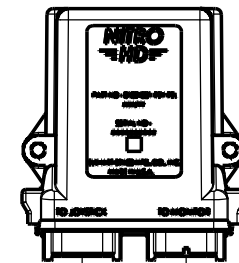
OPTIONAL: REMOVE JOYSTICK FROM ENCLOSURE AND USE AS PANEL MOUNT

10" HARNESS

NITRO HD MONITOR
 P/N 00008101



NITRO HD MODULE
 P/N 81824001



MODULE TO JOYSTICK HARNESS
 P/N 37523000

MODULE TO MONITOR HARNESS
 P/N 37522000

8' HARNESS SUPPLIED BY ELKHART BRASS

POWER & GROUND LEADS TO BE CONNECTED BY CUSTOMER, 1' LENGTH, HEAT SHRINKABLE SPLICES

15' HARNESS SUPPLIED BY ELKHART BRASS

NITRO HD LAYOUT DRAWING, KIT #1

ELKHART BRASS MFG. CO., INC. #1302 West Beardsley Ave, Elkhart, IN 46514, USA <small>This print and all data contained here on is the sole and exclusive property of Elkhart Brass Mfg. Co., INC., and will not be disclosed to others without the consent of Elkhart Brass Mfg. Co., INC. This print must be returned to Elkhart Brass Mfg. Co., INC. if requested. Copyright © 2012 by Elkhart Brass Mfg. Co., INC.</small>		DRAWN BY KAP	DATE 12/01/2016
MATERIAL N/A		CHECKED BY DATE	WEIGHT (LBS) 13.3
TOLERANCE UNLESS OTHERWISE SPECIFIED 1 PLACE DEC. ± .12" 2 PLACE DEC. REF ANGLES ± 1°		ASSEMBLY	
UNLESS OTHERWISE SPECIFIED DIMENSIONS ARE IN INCHES DO NOT SCALE PRINT INTERPRET DIMENSIONS AND TOLERANCES PER ASME Y14.5M 1994 CAD MODEL: 8100 HD		THIRD ANGLE PROJECTION	

ELKHART BRASS Fire Fighting Equipment		
DESCRIPTION NITRO HD (KIT #1)		
SIZE B	CATALOG NO. 8100 HD	REV. B
CAD SCALE 1:1	SHEET 1 OF 1	Ver. 1.0

8100 HD (00008102) REV. B